



SERVING THE FOOD INDUSTRY SINCE 1951

1.1 HP BAND SAW WITH 60" BLADE LENGTH

Item: 45559 Model: BS-IT-1524



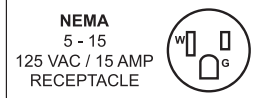
Designed for professional use

This band saw is ideal for butcher shops, hotels, restaurant kitchens, and supermarkets. Perfect for cutting both fresh and frozen meat/fish and bones. The durable structure is constructed with high-quality powder-painted aluminum. Easy to clean and safe to use.

Product may not be exactly as shown.



WARRANTY
PARTS AND LABOR



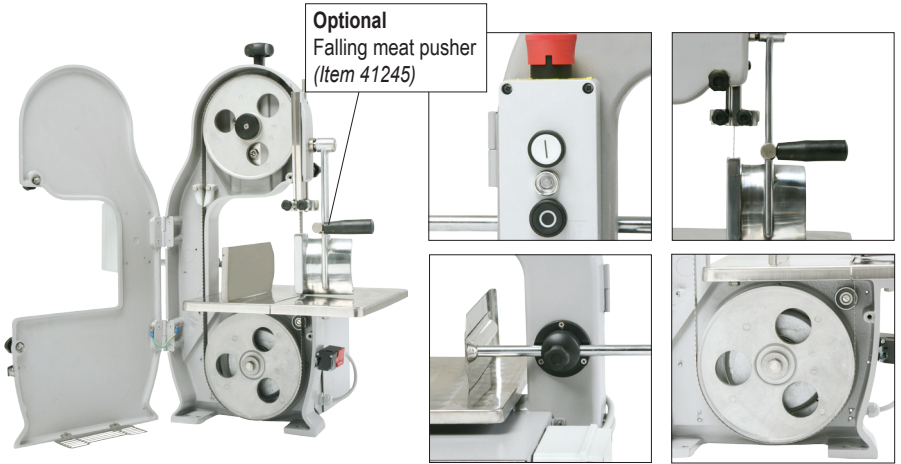
Authorized Dealer

KITCHEN EQUIPMENT

1.1 HP BAND SAW WITH 60" BLADE LENGTH

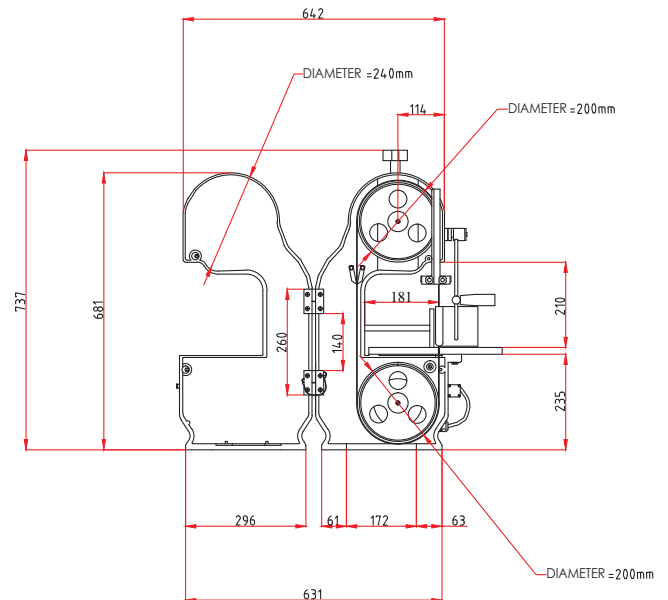


Having straight, precise cuts is important for reducing food waste. Omcan's band saw allows you to control the length and width for each cut of meat, saving your business time and money.



TECHNICAL SPECIFICATIONS

ITEM NUMBER	45559
MODEL	BS-IT-1524
BLADE LENGTH	60" / 1520 mm
CUTTING CAPACITY (H x W)	7.5" x 7.3" / 190 x 185 mm
POWER	1.1 HP / 0.9 kW
MAX CURRENT	12.5 Amps
ELECTRICAL	120V / 60Hz / 1Ph
WEIGHT	68.3 lbs. / 31 kg.
PACKAGING WEIGHT	75.9 lbs. / 34 kg.
DIMENSIONS (WDH)	18.1" x 16.9" x 28.7" 460 x 430 x 730 mm
PACKAGING DIMENSIONS	31.5" x 17.7" x 15.7" 800 x 450 x 400 mm



WARRANTY
PARTS AND LABOR



NEMA
5 - 15
125 VAC / 15 AMP
RECEPTACLE



OMCAN INC.

Telephone: 1-800-465-0234
Fax: (905) 607-0234
Email: sales@omcan.com
Website: www.omcan.com



Follow us to keep up to date with the latest news and offers



2020.E.O.E